

The most reliable

Single & Multi-line Printing



Prints dates, batch numbers,
contents, and logos

Uses replaceable plastic ink rollers

Prints on porous and non-porous surfaces

Prints cartons, shrinkwrap trays, sacks
or continuous material

Top, bottom, side and front marking

Quick change Baselock rubber characters

Smart thinking: *Smart printing*

Sauven 

www.sauven-marking.com

The most
cost effective range of
printers for your products.

Simple and efficient

The Codapack printers all use replaceable pre-impregnated Plastic-Ink Rollers and interchangeable Baselock Type. They are easily mounted to print on either the top, bottom or side of a product. These printers are widely used where zero down time is a necessity and lowest print cost per product is required.

When only changing the code or best before date once a day or once a week, the Codapack printers are the best.



10k - 50k

The Codapack 10K - 50K range of five printers are ideal for coding on to cartons or sacks as the product passes on a driven or angled conveyor. Very often they are mounted inside a case sealer. The drive tyres on the type drum are driven by the product passing, and a 360° cam registers the print on each product. The mounting arm allows the print position to be adjusted and the print pressure to be varied, especially for light weight cartons. These printers can be mounted for left or right hand printing and can be supplied with either Metal Locking Rings (10-30K) or Interchangeable Sleeves (10-50K).



Type Drums

When using Baselock type smaller than 6mm we recommend a type drum with individual Metal Locking Rings to securely hold the type in place. For larger type styles or logotypes on the 10K-50K, an Interchangeable Sleeve fitted with ribbed rubber can be used, offering a quick print change.



Baselock Type

An extensive range of Baselock type styles is offered to create a message by simply press fitting the type into the metal locking rings or ribbed rubber based sleeve. A Baselock brochure is available illustrating the full range.



Plastic-ink Rollers

These ink rollers are quickly placed on the Codapack range of printers to give a dense quality print on to porous surfaces such as cartons, trays and paper sacks. These long life pre-inked rollers are disposable, giving a clean and efficient inking system. They are available in black, blue, red and green.

Fibre and Sponge Rollers

For non-porous surfaces either of these rollers can be used with special liquid inks (see separate data sheet)



MKIV - F/R Free Running

The small reliable Codapack MKIV-F/R is available with a standard free rotating 75mm diameter type drum fitted with Metal Locking Rings for either continuous marking or random printing on products. Three print heights are available. One or more sets of prints may be placed around the drum to ensure that a complete print appears on each product.



SW - Shrink-Wrap Trays

The Codapack SW printers are available with different diameters and print height type drums to suit the shrink wrap trays. The drum, fitted with Metal Locking Rings, is specially designed to mark low down on a shallow tray prior to shrink wrapping. The cam registers the print on each tray.



MKIV - C Registered Print

The similar Codapack MKIV-C is available with a standard 360° cam type drum with Metal Locking Rings (also 90°, 120°, 180° Cams available), to give a registered print on small packets which are spaced apart. The print pressure can be adjusted.

Codapack Printer

Model	Print Height	Number of Metal Rings or Rubber Ribs	Print Circumference
10k	25 mm	8	380 mm STANDARD or 530 mm SPECIAL
20k	50 mm	15	
30k	84 mm	24	
40k	100 mm	28*	
50k	135 mm	37*	
MK IV-F/R 4	10 mm	4	240 mm†
MK IV-F/R 8	25 mm	8	240 mm†
MK IV-F/R 15	50 mm	15	240 mm†
MK IV-C 4/8/15	SAME AS ABOVE	SAME AS ABOVE	SAME AS ABOVE
SW-4	10 mm	4	305 mm‡
SW-8	25 mm	8	305 mm‡
SW-15	50 mm	15	305 mm‡

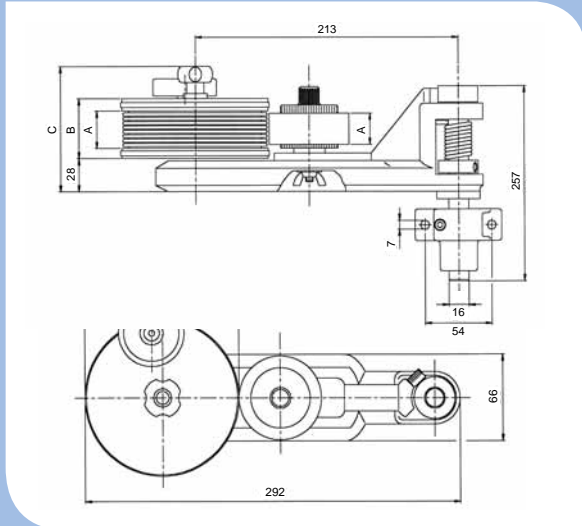
* Available with interchangeable ribbed sleeve only

† Available also as 305 mm circumference

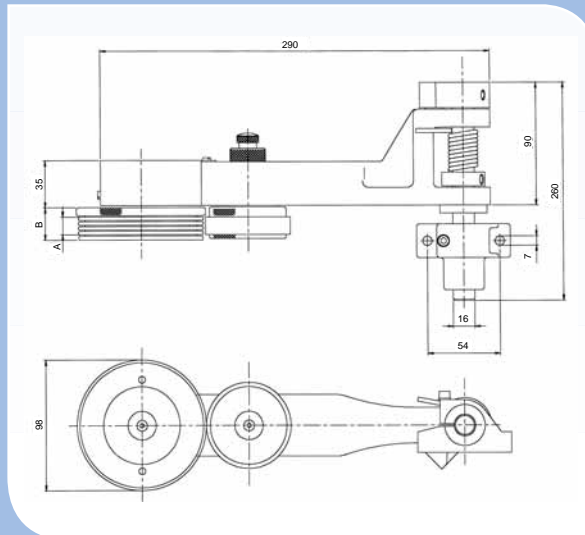
‡ Available also as 240 mm and 380 mm circumference

Sauven Codapack

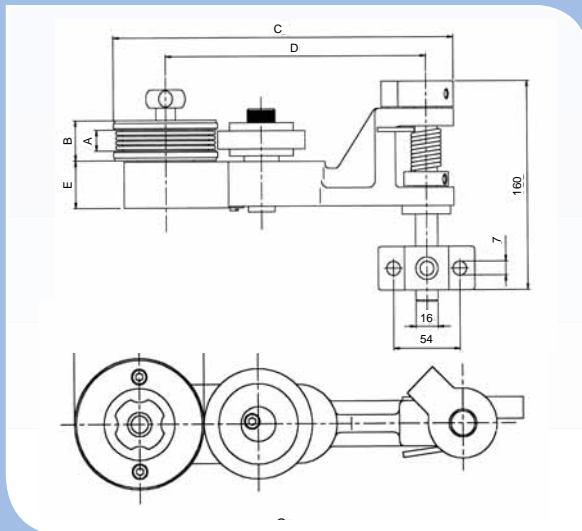
Codapack 10k-50k



Codapack SW



Codapack MK IV



Codapack 10k-50k

Model	(A) mm	(B) mm	(C) mm	Ribs
10k	25	49	100	8
20k	50	74	125	15
30k	84	108	159	24
40k	100	124	175	28
50k	135	159	210	37

Codapack SW

Model	(A) mm	(B) mm	Rings
SW-4	10	24	4
SW-8	25	39	8
SW-15	50	64	15

Codapack MK IV

Model	(A) mm	(B) mm	(C) mm	(D) mm	(E) mm	Rings
MKIV-FR 4	10	29	234	175	28	4
MKIV-FR 8	25	44	234	175	28	8
MKIV-FR 15	50	69	234	175	28	15
MKIV-C 4	10	29	244	192	35	4
MKIV-C 8	25	44	244	192	35	8
MKIV-C 15	50	69	244	192	35	15

www.sauven-marking.com



Smart thinking: Smart printing

Sauven Marking Limited
Wintersells Road
Byfleet, Surrey
KT14 7LF
England

Tel: +44 (0) 1932 355191
Fax: +44 (0) 1932 354511
Email: sales@sauven-marking.com
Web: www.sauven-marking.com



Sauven Worldwide

Sauven ink jet printers are available through a global network of qualified distributors offering a total sales and support service.